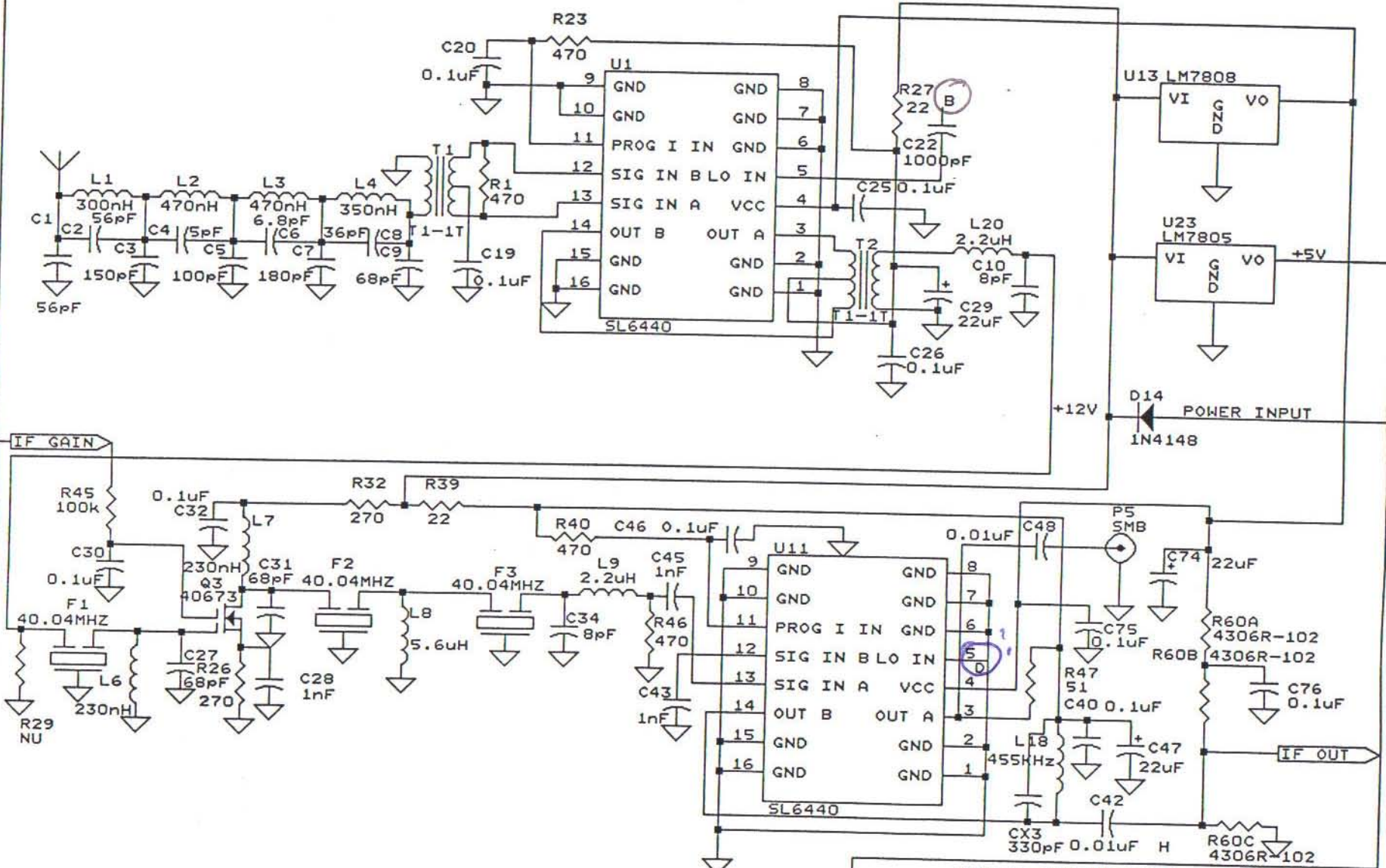
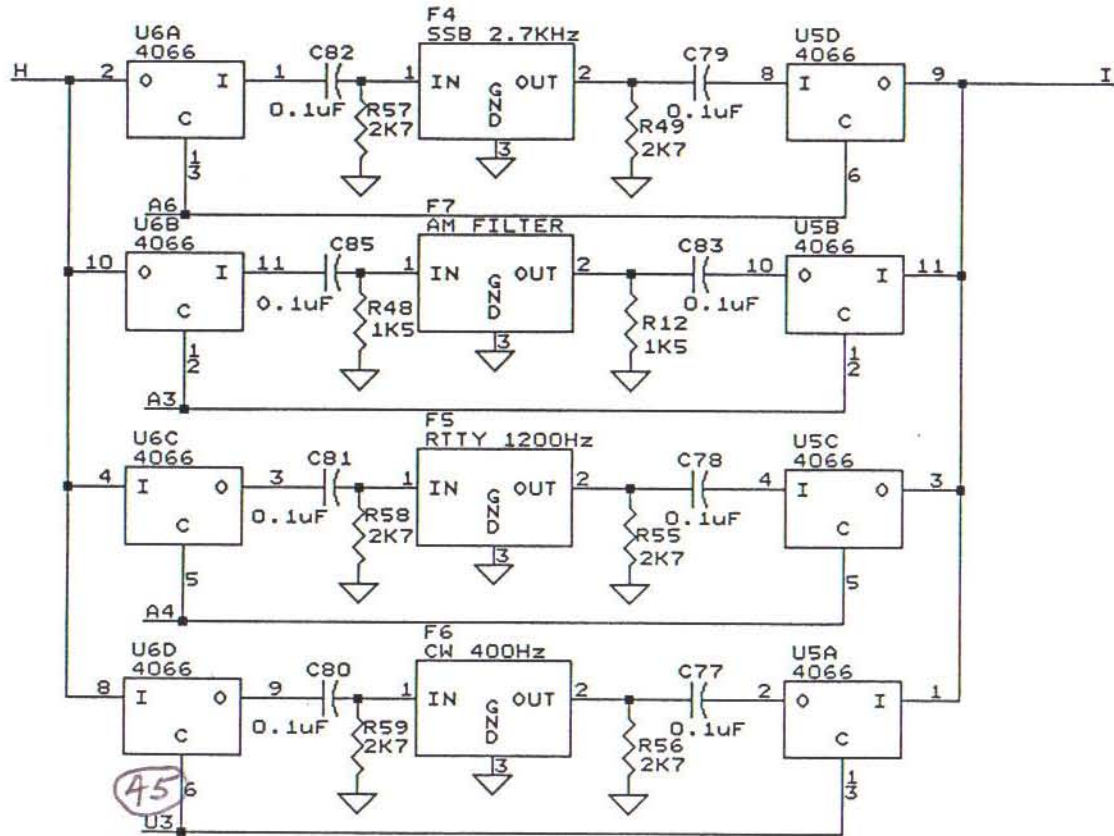


STONER COMMUNICATIONS INC.			
Title			
BLOCK			
Size	Document Number	REV	
A	SWRX	OD	
Date: August 5, 1991		Sheet	1 of 7

BLOCK DIAGRAMS

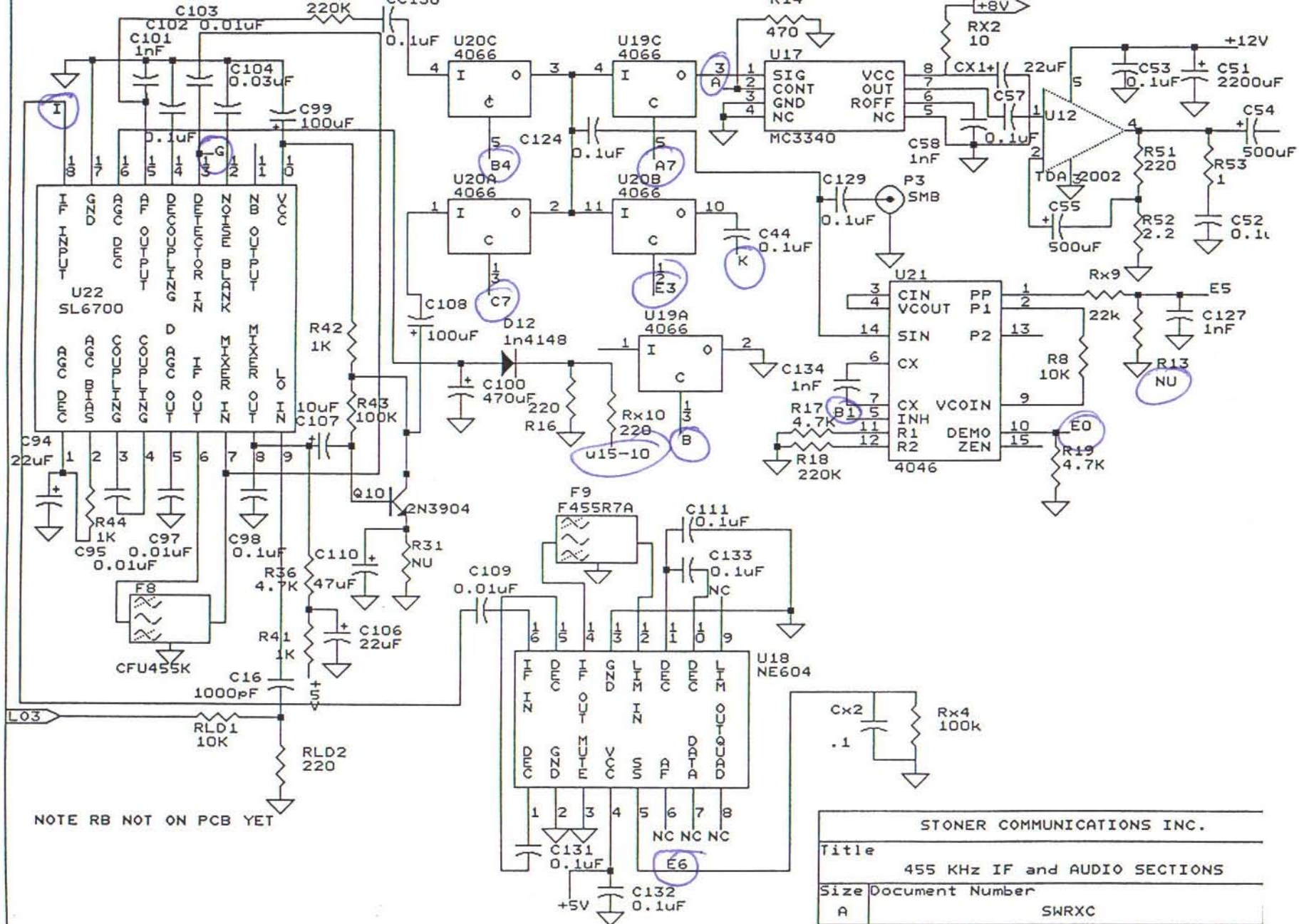


STONER COMMUNICATIONS INC.			
Title			
FRONTEND			
Size	Document Number	REV	
A	SWRXA	DC	
Date:	August 5, 1991	Sheet	2 of 7

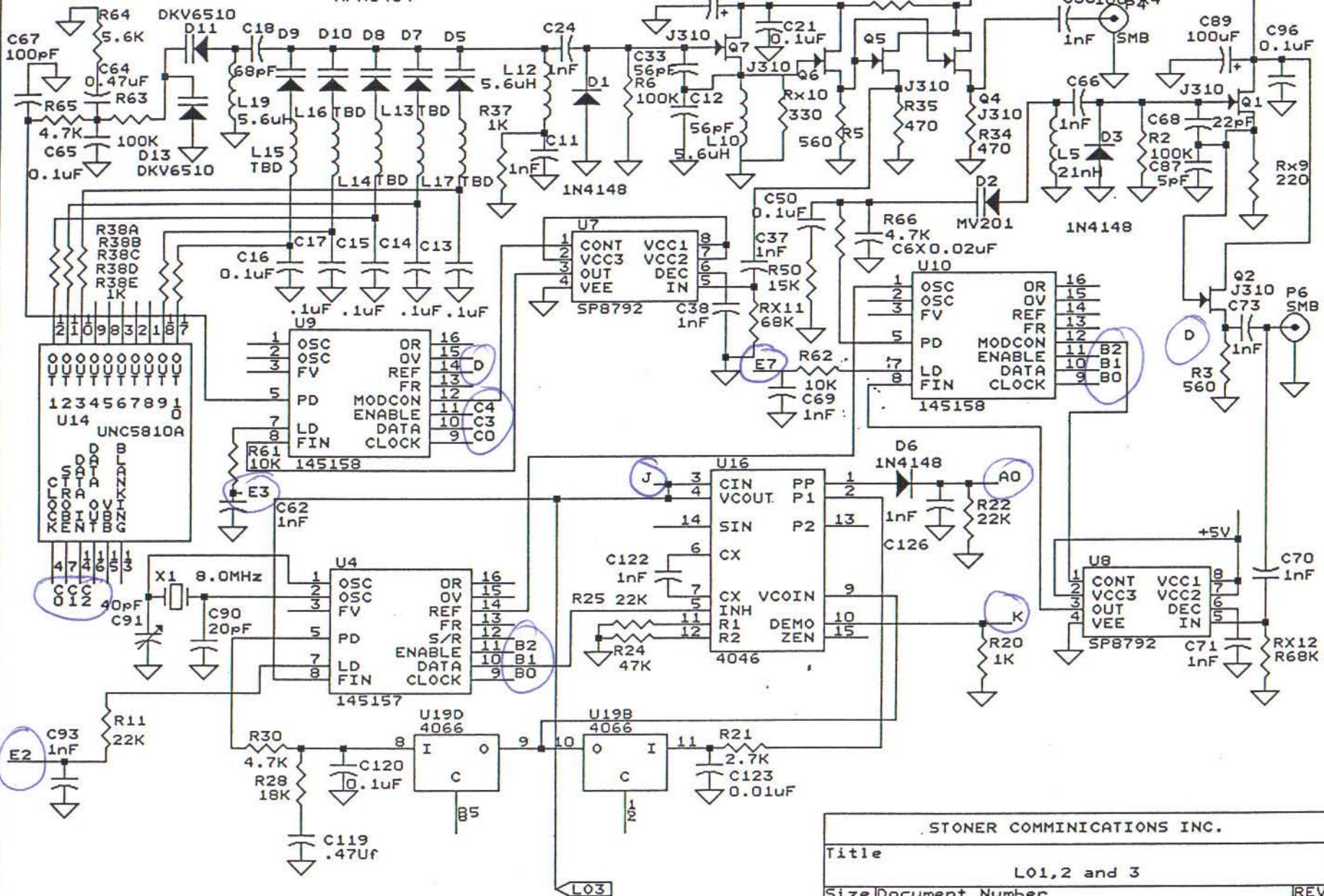


45
U3

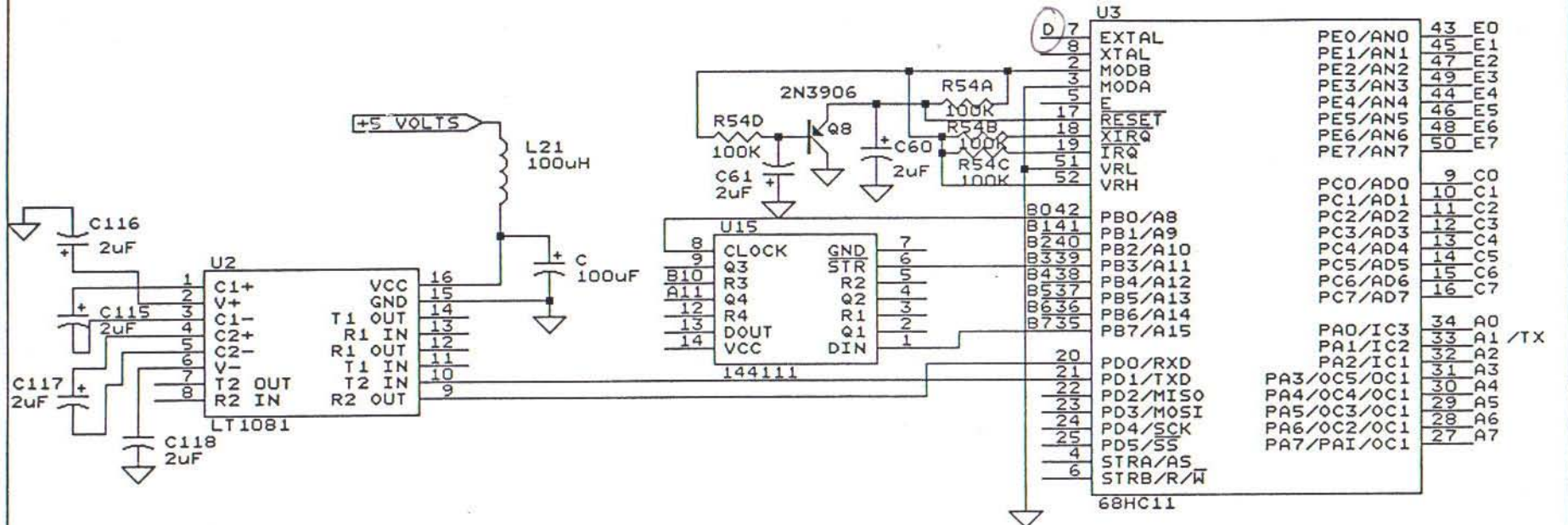
STONER COMMUNICATIONS INC.		
Title		
455 KHz FILTERS		
Size	Document Number	REV
A	SWRXB	OC
Date:	August 5, 1991	Sheet 3 of 7



STONER COMMUNICATIONS INC.	
Title	455 KHz IF and AUDIO SECTIONS
Size	Document Number
A	SWRXC
Date:	August 5, 1991 Sheet 4 of



STONER COMMUNICATIONS INC.		
Title		
L01,2 and 3		
Size	Document Number	REV
A	SWRXD	
Date:	August 13, 1991	Sheet 5 of 7



STONER COMMUNICATIONS INC.

Title

CONTROLLER

Size Document Number

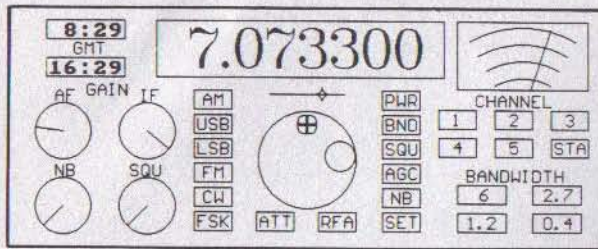
A

SWRXE

REV

OC

Date: August 5, 1991 Sheet 6 of 7



The Special Purpose Program standard operating display is the panel of a receiver with 24 hour clock and an analog 'S' meter. A cursor is moved from function to function with arrow keys or a mouse. Frequency is changed with up and down arrow keys or a mouse.

```

15000.000kHz AM CHAN SIG 123 DYMEK DR333
-----
UTC 17:23:05 -- AUDIO 19
DAY 12-12-90 (1) IF 30
LOC 09:23:05 M MUTE OFF
RADIO ON a AGC SLOW
b BW 6.0

BAND SCAN MENU 14 BANDSCANS
R-Read O-Output N-New E-Edit D-Delete
*Scroll-up *Scroll-down P-Pick T-Restart Z-Exit
SCAN START-FREQ END-FREQ STEP DELAY SS AUD MOD BW IF LO COMMENT
-> 1 500000 1610000 10000 2000 80 22 AM 6.0 5 Y as
2 14950000 20100000 5000 2000 40 17 AM 6.0 30 Y sv1
3 21150000 21500000 2000 2000 25 24 USB 2.7 30 Y 15 meters
4 7150000 7300000 1000 2000 70 24 LSB 2.7 20 Y 40 meters
5 500000 1700000 1000 2000 20 17 AM 6.0 1 Y short wave oca
6 17770000 10500000 5000 2000 20 23 AM 6.0 30 Y SW scan
7 14150000 14500000 1500 2000 60 25 USB 2.7 20 W 20 meters
9 500000 530000 1 1000 25 23 AM 6.0 30 Y SW scan
10 20400000 29200000 2500 2000 24 24 USB 2.7 20 Y 10 meters
900 3000000 5000000 5000 2000 50 24 AM 6.0 10 Y sv1
...saved 14 scan channels in file 'BANDSCAN.DAT'
h-LSB j-AM k-USB l-CW c-CHANNELS f-FREQ u-UTC a-SCANS v-WVV

```

```

17880.000kHz AM CHAN025 SIG 95 DYMEK DR333
-----
UTC 17:11:00 -- AUDIO 19
DAY 12-12-90 (1) IF 30
LOC 09:11:00 M MUTE OFF
RADIO ON a AGC SLOW
b BW 6.0

CHANNEL MENU 55 CHANNELS
R-Read O-Output N-New E-Edit D-Delete
*Scroll-up *Scroll-down P-Pick T-Scan Z-Exit
CHAN FREQUENCY AUDIO MODE BW IF COMMENT
18 9580000 19 AM 6.0 30 AUSTRALIA
19 9770000 19 AM 6.0 30 AUSTRALIA
20 9915000 19 AM 6.0 30 bbc
21 11705000 19 AM 6.0 30 sweden
22 11705000 19 AM 6.0 30 bbc
23 11820000 19 AM 6.0 30 cuba
24 11855000 19 AM 6.0 30 canada
-> 25 17880000 19 AM 6.0 30 moscov
26 21610000 19 AM 6.0 30 sweden
27 21705000 19 AM 6.0 30 norway
h-LSB j-AM k-USB l-CW c-CHANNELS f-FREQ u-UTC a-SCANS v-WVV

```

The Standard Operating Program includes all readouts and controls displayed on the computer screen. There's no need to look up any written information; keys to all operations are on the screen. Signal strength is shown in digits from 1 to 200 and a twenty segment extending bar for precise representation.

GENERAL INFORMATION.

The DR333 is a dual conversion super heterodyne receiver with a first IF of 40.040 MHz and a second of 455 kHz. Its internal microcontroller is accessed by a host computer through a standard RS232 serial data link. Baud rate is 9600. Three lines of the RS232 are used via either port 1 or port 2 of a PC compatible computer.

SPECIFICATIONS.

Frequency Coverage: 10 kHz to 29.999995 MHz.
 Pass Band Tuning: Plus or minus 600 Hz.
 Modes: AM, SSB, CW, RTTY, FAX, FSK.
 Bandwidth Filters: 6 kHz and 2.7 kHz standard, (2.7 is Collins mechanical). Optional filters to 10 kHz from .4 kHz (mechanical) and 1.2 kHz (mechanical).

Sensitivity: AM 1 μ Volt 10dB sig/sig + noise.
 SSB .5 μ Volt
 CW .25 μ Volt
 FSK 2 μ Volt

AGC: AM Carrier Derived.
 SSB, CW, FSK Carrier Derived or Audio Derived fast attack and hold.

Image Rejection: -90 dB
 First IF Rejection: -70 dB
 Second IF Rejection: -100 dB
 Third Order Intercept Point: +30 dBm

Antenna: 50 Ohms.
 Audio Output: 8 Ohm Speaker or phones.
 Power Supply required: 11 to 16 Volts DC, 1 Amp.
 (normal operation 320 ma)

Manufactured by Stoner Communications, Inc.,
 McKay Dymek Division, Cucamonga, CA 91730

Order from:
 Dymek Sales
 9119 Milliken Avenue
 Cucamonga, CA 91730
 (714) 987-4624 Fax: (714) 987-1016
 Telex: 676-468 Cable: Stoneralom

McKAY DYMEK DR333 MONITOR/SURVEILLANCE, GENERAL PURPOSE HF RECEIVER, 10 kHz to 29.999995 MHz



McKAY DYMEK DR333 RECEIVER

PORTABLE, MOBILE, FIXED BASE OR REMOTE OPERATION VIA HARD WIRE, MODEM OR RF LINK WITH PC COMPUTERS WITH MINIMUM 256K RAM AND ONE DISK, MONOCHROME AND COLOR SYSTEMS.

AM, SSB, CW, RTTY, FAX, FSK MODES. BANDWIDTHS FROM 400 Hz TO 10 kHz; 6 and 2.7 kHz STANDARD.

NORMAL, MANUAL OPERATION IS VIA KEYBOARD OR MOUSE WITH ON-SCREEN PROMPTS. NO COMPUTER SKILLS ARE NEEDED AND LEARNING TIME IS BRIEF.

600 OHM OUTPUT MAY BE USED TO DRIVE RECORDERS, DEMODULATION AND OTHER PERIPHERAL EQUIPMENT.

MINIATURE SIZE: 7.375"x4.75"x2.250"

WEIGHT: 2 POUNDS.

POWER: 12 VOLTS, DC. 4 WATT DRAW.

INCLUDED SOFTWARE HAS:

- 9,999 CHANNELS, FILED AT OPERATOR'S DISCRETION IN ANY OF SEVERAL FORMATS OR IN NUMERICAL ORDER, TEN PER FILE, AUTOMATICALLY.

- 999 BAND-SCANS, FILED AT OPERATOR'S DISCRETION IN ANY OF SEVERAL FORMATS OR IN NUMERICAL ORDER, TEN PER FILE, AUTOMATICALLY.

- SCANS OF CHANNELS PER OPERATOR SET PARAMETERS MAY BE FROM TWO TO TOTAL IN FILES.

- BAND-SCAN LIMITS SET BY OPERATOR FROM 2 Hz TO THE FULL SPECTRUM OF THE RECEIVER.

- ALL CHANNEL AND BAND-SCAN PARAMETERS SET BY OPERATOR, INCLUDING UP TO 15 CHAR. COMMENT.

- SCAN STEPS FROM 1 Hz; DWELL FROM 1 ms.

- ALL CHANNEL AND BAND SCANS MAY BE LOGGED AT OPERATOR OPTION FOR HARD COPY PRINT-OUT, RECORDING OR PACKET TRANSMISSION VIA MODEM OR RADIO LINK IN DYMEK RF GATE SYSTEMS.

- SPECTRUM ANALYZER WITH OPERATOR SET LIMITS AND GRID OVERLAY OPTION.

CUSTOM SOFTWARE IS AVAILABLE. GUIDES TO SELF-PROGRAMMING BY THE USER AVAILABLE AT MODEST ADDITIONAL COST (TURBO C). SPECIAL PURPOSE PROGRAMS FOR DEMODULATION OF MANY SERVICES ARE AVAILABLE.

COMPUTER POWER.

You don't have to be a computer professional to enjoy all the power and speed one offers in the operation of a professional class receiver. The DR333 comes with software designed to fit the needs of those with no computer skills. These programs also offer the basis upon which the computer-skilled can build custom software to meet special applications.

Any operator will find all the information necessary for normal receiver operation on the screen of the computer with which it is used plus special functions in memory ready to be called up in an instant. Speed and flexibility are the keynotes. 'Bells and whistles' not found in conventional, reasonably priced receivers are ready for use on command.

MEMORY CHANNELS.

As many as 9,999 frequencies, along with mode, bandwidth, IF and audio levels and a 15 character comment may be stored in memory, automatically in numerical sequence by the computer or in any order the operator may favor. All in memory may be reviewed in 'scroll' form on the computer screen or, at operator option, in groups of ten or less from any point in memory. Editing, deletions, transfers and additions are all done quick and easy with on-screen guidance. As few as two or as many as in memory may be scanned according to operator set threshold and dwell time. Individual channels and discrete frequencies may be called up with a single command.

BAND-SCANS.

As many as 999 bands, with all operating parameters and a 15 character comment for bands as small as 2 Hz, may be placed in memory for instant access. Step size may be from 1 Hz and dwell times may be from 1 millisecond to many seconds. These scans may be interrupted by the operator for any purpose and restarted with one keystroke. Scan stops are on frequencies with signal strengths above the operator set level over a scale of intensity from 1 to 200.

LOGGING.

The computer will keep a log of all stops in scans, either channel or band, at the operator's option. Logs may be viewed on the computer screen or printed out

MANUAL OPERATION.

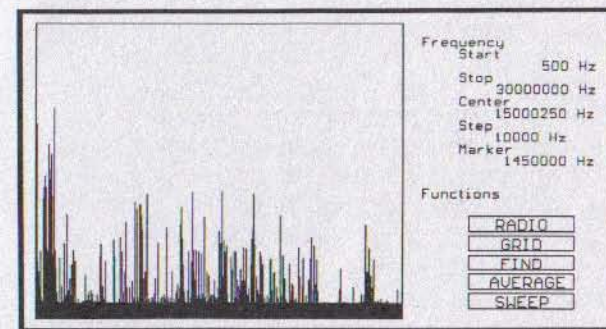
All functions and controls, plus a 24 hour clock with local and UTC time and date, are always on the computer screen in normal radio operation. Controls are actuated by the use of the keyboard and/or a mouse. Manual change of frequency may be in steps from 1 Hz to 10 MHz by the selection of a corresponding key. Individual frequencies may be typed and entered just that fast. Five WWV frequencies are entered in memory at the factory and are entered with a single key in sequence from lowest to highest.

TWO SOFTWARE SETS.

The programs that operate the DR333 are in two separate disks to enable those with limited computer memory (256 K minimum RAM and one disk drive) to utilize each. These may be copied into larger memories, of course. Number One, Standard Operating Program: This is for either monochrome or color systems and is used for fully automatic channel and band scanning, logging and manual operation. Number Two, Special Purpose Program: This requires a color system, CGA or VGA and includes 100 channel memory, manual operation and the spectrum analyzer.

DR333 software is written in Turbo C and has been used in minimum capacity computers and large, 286 and 386/25MHz machines using MS DOS. Software assistance is always available via telephone or mail.

DISPLAYS.



The SPECTRUM ANALYZER is limited to 400 stops within any spectrum whose limits are set by the operator. A moveable marker 'finds' the specific frequency of each stop and an overlay grid may be imposed when needed.

PRICES, SEPTEMBER 1991

DYMEK DR333 RECEIVER, Standard Configuration with 6.0 kHz plus 2.7 kHz (mechanical) filters. Two additional filters may be included, both mechanical at extra cost.

For a limited time, only, we will install either 400 Hz or 1200 Hz mechanical filters for \$100 per filter. The receiver will accommodate 4 filters, total.

Other mechanical filters available are: 300 hz, 1 kHz, 2.4 kHz, 3.2 kHz, 4 kHz, 5 kHz and 6 kHz. \$200 each additional.

The library of documentation to assist the operator in making program alterations in the SOP software is now included in the base price of the receiver.

Price: including software and two filters is \$1,495.00 F.O.B. DYMEK. Shipping weight is five pounds.

FC-11 FOG CUTTER - see literature. Price: \$79.95 F.O.B. DYMEK. Shipping weight three pounds.

DYMEK DA 100 HF ACTIVE ANTENNAS that offer excellent service from 100 kHz to 30 MHz. See literature.

These are available in two versions: the standard unit with stainless steel mast; the Marine version with a Shakespeare fiberglass mast.

Standard version: \$200.00 F.O.B. DYMEK
Marine version: \$228.00 F.O.B. DYMEK
Shipping Weight: Seven pounds.

VISA AND MASTERCARD ACCEPTED.